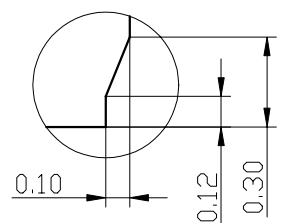
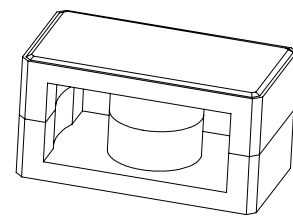
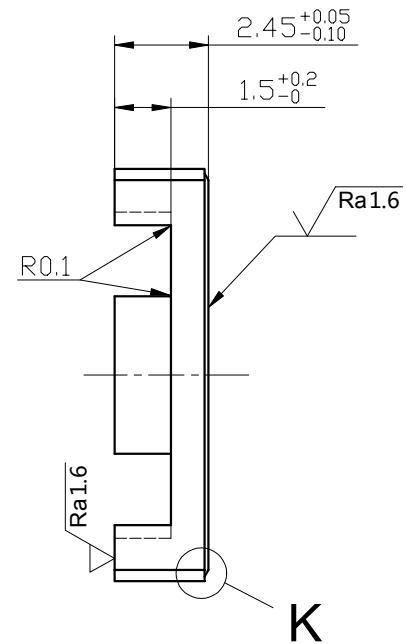
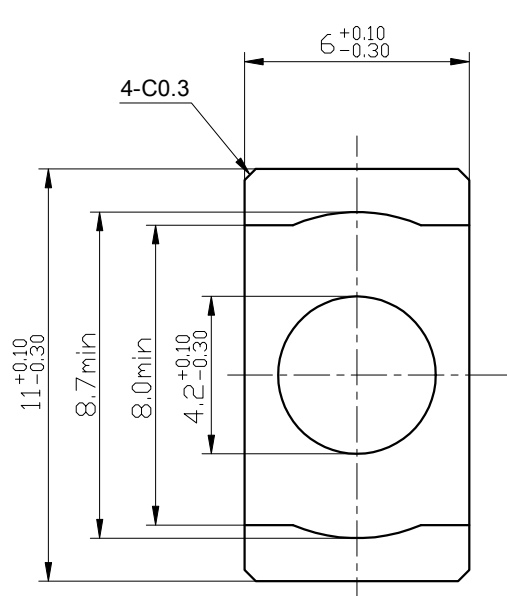


| REVISION HISTORY | | | |
|------------------|-------------|------|----------|
| Rev | DESCRIPTION | DATE | APPROVED |
| | | | |
| | | | |
| | | | |



Detail K

| | | | | |
|-----------------------------------------------|-----------------------|-------------------------------------|----------------------------------------|----------------------------|
| | Scale 5: 1 | Material | Customer Part number ER11/2.5/6 set | |
| | Unit: mm | | Standard tolerances ±0.1 | Product Name EER-11A |
| Approved by Y.Higuchi | Created by H.Huang | Document type Production drawing | Rev 00 | Drawing No. PY170707M02 |
| Hitachi Metals (Hong kong) Ltd. Panyu Factory | | | Date of issue Jul 07 2017 | Sheet 1/1 |